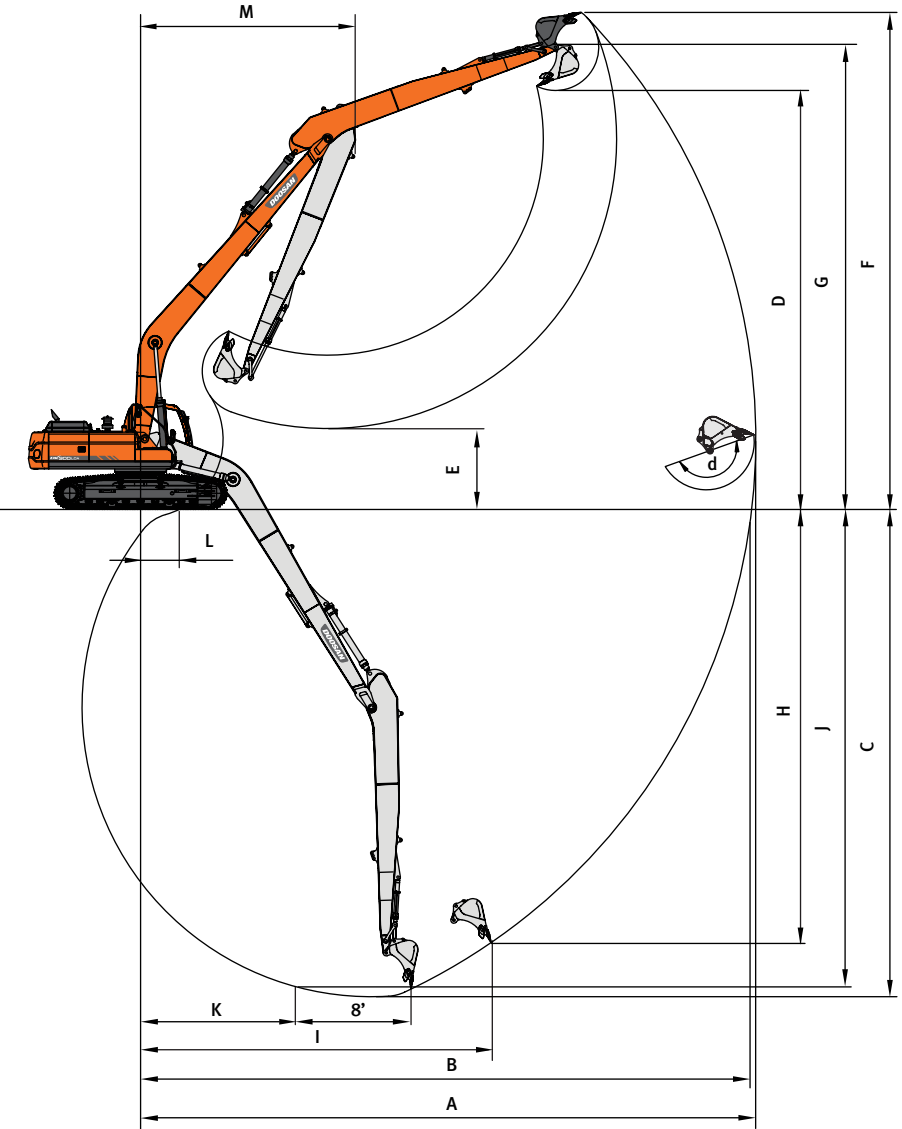


WORKING RANGES

DX300LCA SLR



Working Ranges

BOOM TYPE (ONE PIECE)	(mm)		10,000
ARM TYPE	(mm)		7,000
BUCKET TYPE (PCSA)	(m ³)		0.64
MAX. DIGGING REACH	(mm)	A	17,520
MAX. DIGGING REACH (GROUND)	(mm)	B	17,405
MAX. DIGGING DEPTH	(mm)	C	13,875
MAX. LOADING HEIGHT	(mm)	D	11,930
MIN. LOADING HEIGHT	(mm)	E	2,310
MAX. DIGGING HEIGHT	(mm)	F	14,155
MAX. BUCKET PIN HEIGHT	(mm)	G	13,165
MAX. VERTICAL WALL DEPTH	(mm)	H	11,630
MAX. RADIUS VERTICAL	(mm)	I	10,905
MAX. DEPTH TO 8° LINE	(mm)	J	13,790
MIN. RADIUS 8° LINE	(mm)	K	5,380
MIN. DIGGING REACH	(mm)	L	1,095
MIN. SWING RADIUS	(mm)	M	6,125
BUCKET ANGLE	(deg)	d	169

Doosan is

Since 1896, Doosan, the oldest company in Korea, has evolved with its people. The company grew up rapidly for last 10 years with reputation. For human-oriented vision, Doosan has been building constructions, energy, machines, infra structures globally. As a global leader of infra structure, Doosan continues its vision to make human-oriented future.

First in Korea, Doosan self-developed excavators in 1985 and continued building versatile construction machines including excavators, wheel loaders, articulated dump trucks to execute its human-oriented philosophy. Doosan became a global leader of heavy construction machine industry by achieving global sales line, producing line, and distribution line. Along with large production bases in Korea, China, USA, Belgium, Czech, Brazil, Doosan has 1400 dealer networks and Doosan is providing reliable products and trusted solutions for your stable business at no risk.



DOOSAN

Construction Equipment

DX300LCA SLR

Engine Power	SAE J1349, net 147kW (197HP) @ 1,900rpm
Operational Weight	30,900kg
Bucket / PCSA	0.64m ³ (0.83cu.yd)



Doosan Infracore Korea Office (HQ)
27F, Doosan Tower, 275, Jangchungdan-ro,
Jung-gu, Seoul, Korea(04563)
Tel : 82 2 3398 8114

www.doosaninfracore.com/ce/

Materials and Specifications in the catalogue are subject to change without notice.

